

1. Function

1. Handle it with care, any damage for the iron plate or magnet surface, will decrease the holding force.
2. Fasten the magnetic lock with the door frame, make sure the iron plate can tilt around the it to compensate for misalignment error of door.
3. The working voltage is 12VDC.

2. Technical parameter

- ◆ Input Voltage: DC12V±10%
- ◆ Start current: 300mA
- ◆ Working current: 120mA
- ◆ Time delay: 0-6S
- ◆ Door signal: No
- ◆ Lock signal: No
- ◆ Lock Size: 80L*37W*24H(mm)
- ◆ Armature Plate Dimension: 70L*33W*9H(mm)
- ◆ Holding Force: 60KG(120Lbs)
- ◆ Door Type Applicable: File Cabinet, Display Cabinet
- ◆ Security Type: Power off to open
- ◆ Weight: 0.6KG

3. Product size

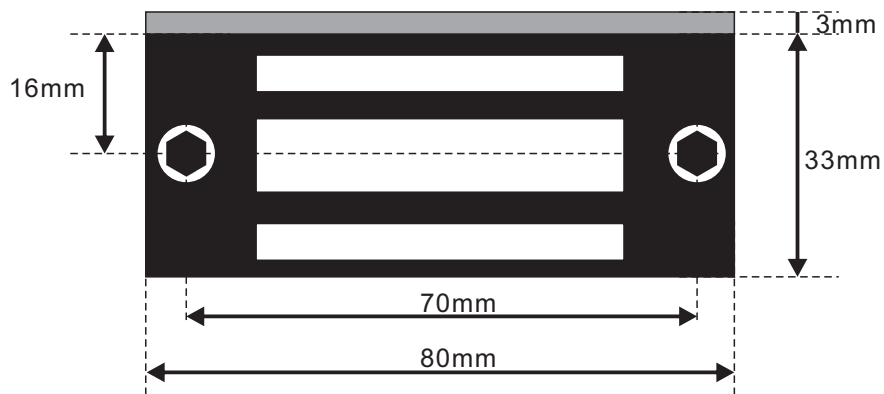


Chart 1

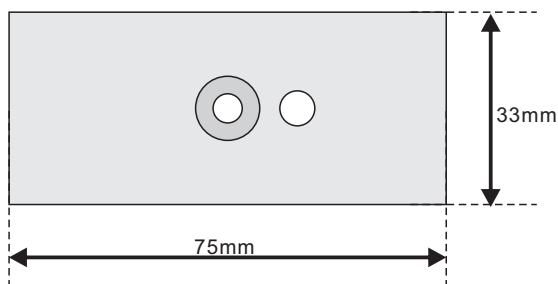


Chart 2

Remark:

Please don't fix the screw (screw of armature plate) tightly, let the rubber ring maintain proper elasticity.

4. Installation Instruction

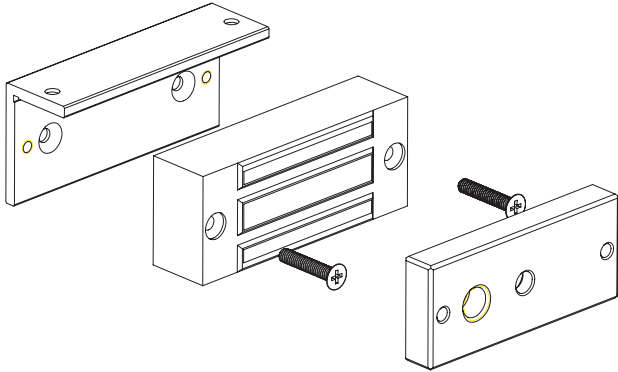


Chart 3

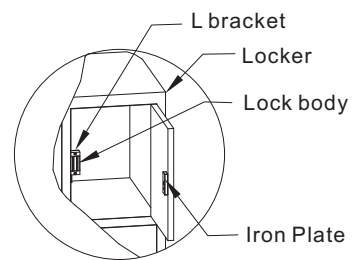
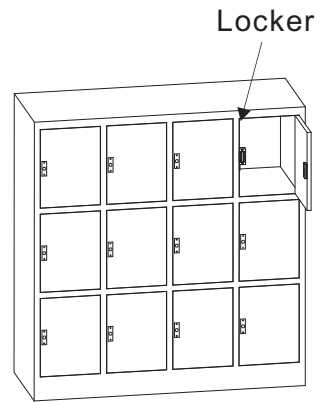


Chart 4

CYGNUS
electronics

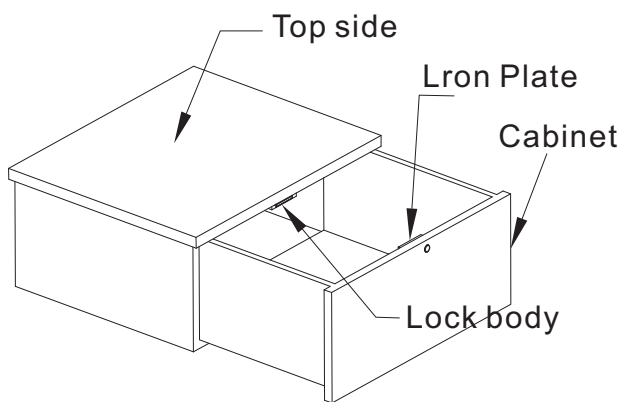


Chart 5

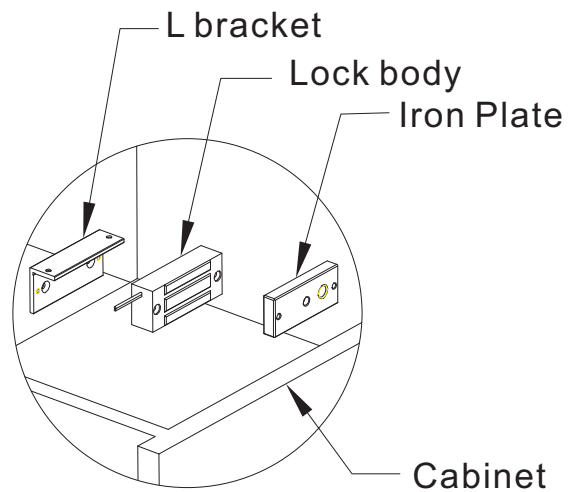


Chart 6